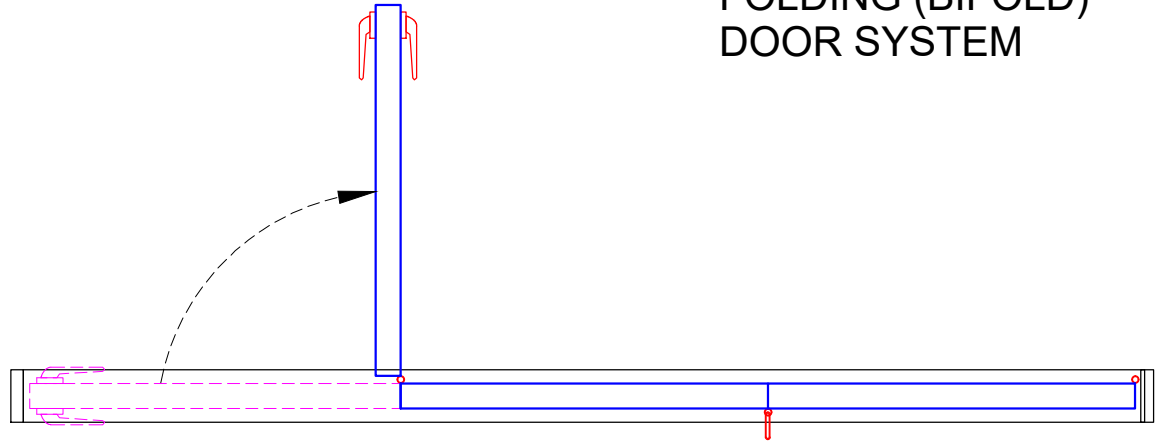


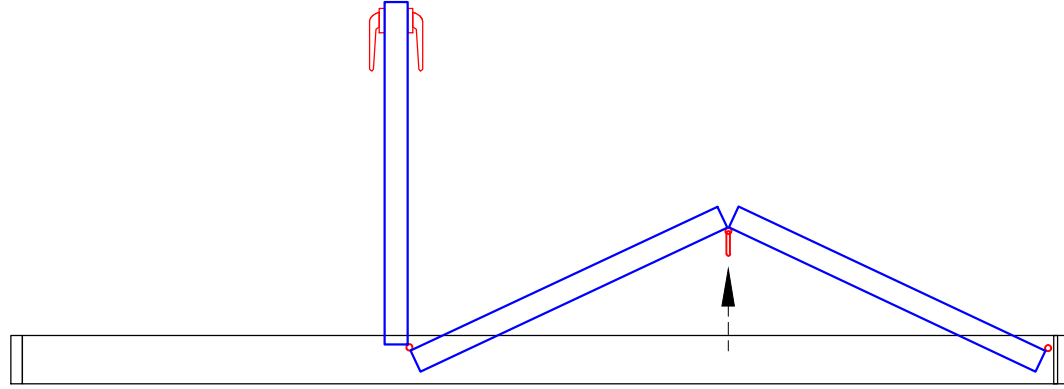
OPENING DOORS

a. Open active door.
Unlock and fully open active door 90°.

NOTE: Not all systems have an active door. If no active door is present continue to step b.



b. Rotate Thumb Knob Clock-wise
Unlock the thumb knob Clock-wise and push on panels.

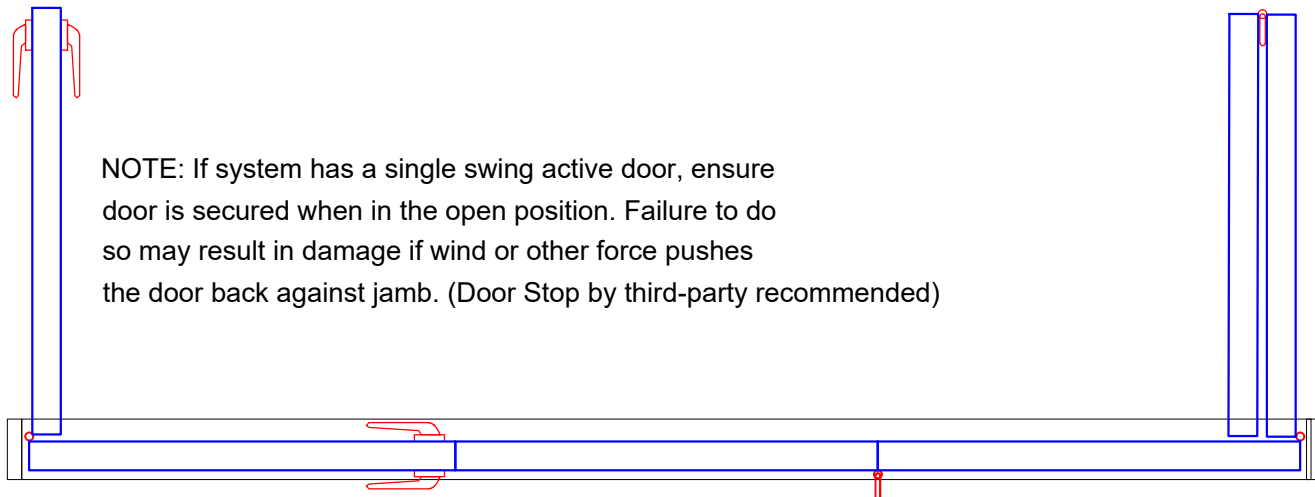
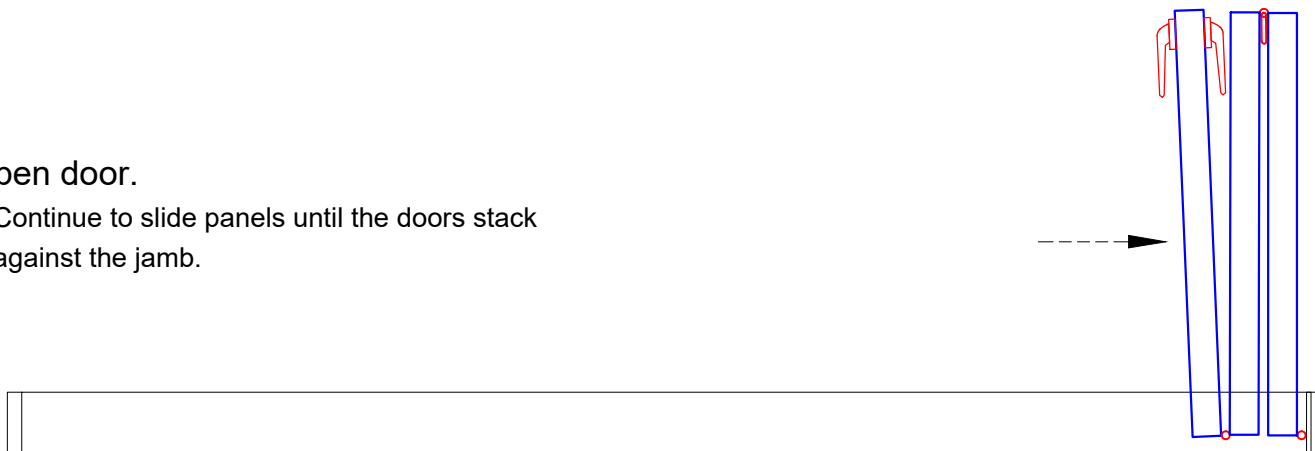


For 8510 Series - Pull Handle from the Running Post

FOLDING (BIFOLD) DOOR SYSTEM

OPENING DOORS

c. Open door.
Continue to slide panels until the doors stack against the jamb.



NOTE: If system has a single swing active door, ensure door is secured when in the open position. Failure to do so may result in damage if wind or other force pushes the door back against jamb. (Door Stop by third-party recommended)

Door Stop by third-party recommended some sample see here:

Note: 8510 Series - Hidden Hinge Swing Panel opens 90 degrees, forcing over 90 degree may result damaging to the hinge and frame. Improper use voids warranty



FOLDING DOOR SYSTEM

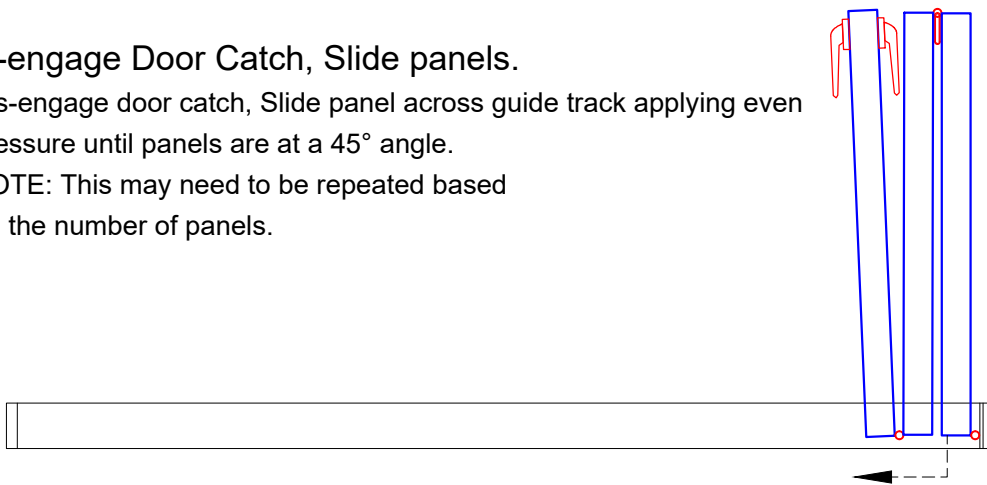
Prepared by :	COPYRIGHT RESERVED	Project Title :			
BASIKWALL	This drawing is the property of Basikwall Inc. It must not be copied without prior written consent and must be returned on request. The information shown on it is to be regarded as confidential and must not be disclosed to any third party.	BIFOLD DOOR 8510 SERIES			
Drawn by : MAA	Scale : NTS	Size B	Dwg.No.	Sheet No.	Rev.
Design by : EC	Date : 03/27/2021			1 OF 2	
Checked by :	Approved :				

CLOSING DOORS

a. Dis-engage Door Catch, Slide panels.

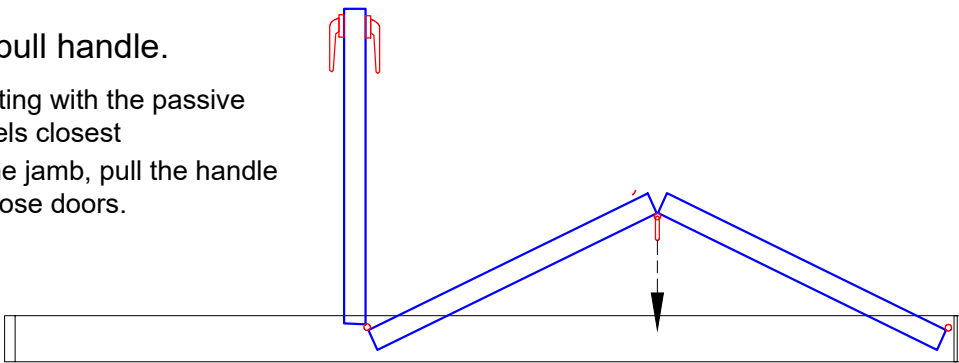
Dis-engage door catch, Slide panel across guide track applying even pressure until panels are at a 45° angle.

NOTE: This may need to be repeated based on the number of panels.



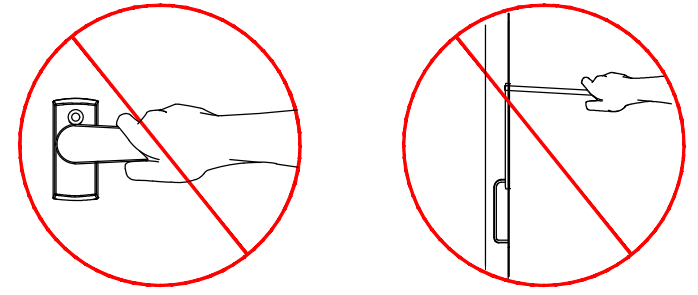
b. Use pull handle.

Starting with the passive panels closest to the jamb, pull the handle to close doors.



Note: 8510 Series - Hidden Hinge Swing Panel opens 90 degrees, forcing over 90 degree may result damaging to the hinge and frame. Improper use voids warranty

FOLDING DOOR SYSTEM



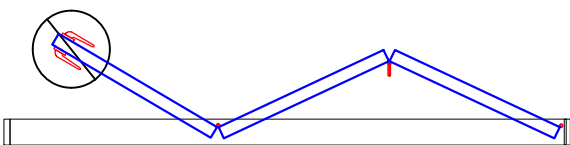
NOTE: Disengage the door catch

Use pull handle on middle hinge to pull/push doors open and closed. Some minimal pressure will be required to be applied to activate the TBL or flush bolts.

This minimum pressure is due to the required compression of the weather seals for water resistance.

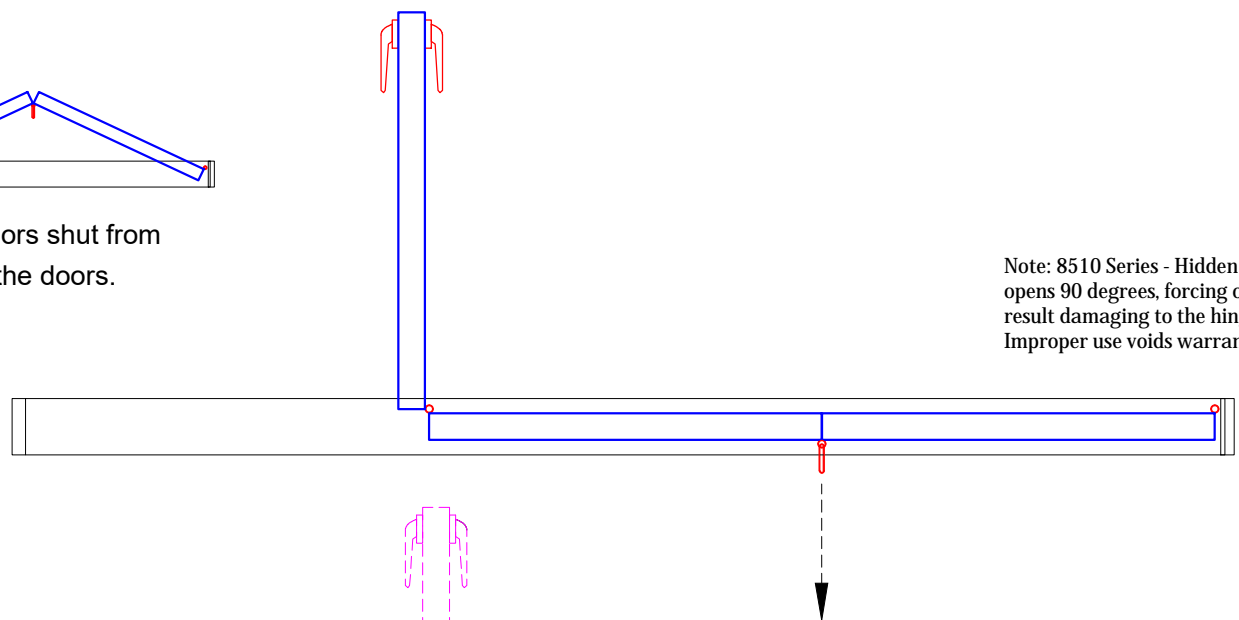
NOTE: Keep fingers clear of gap between panels, failure to do so could cause serious

CLOSING DOORS



NOTE: Do not pull or drag doors shut from end panel. This will damage the doors.

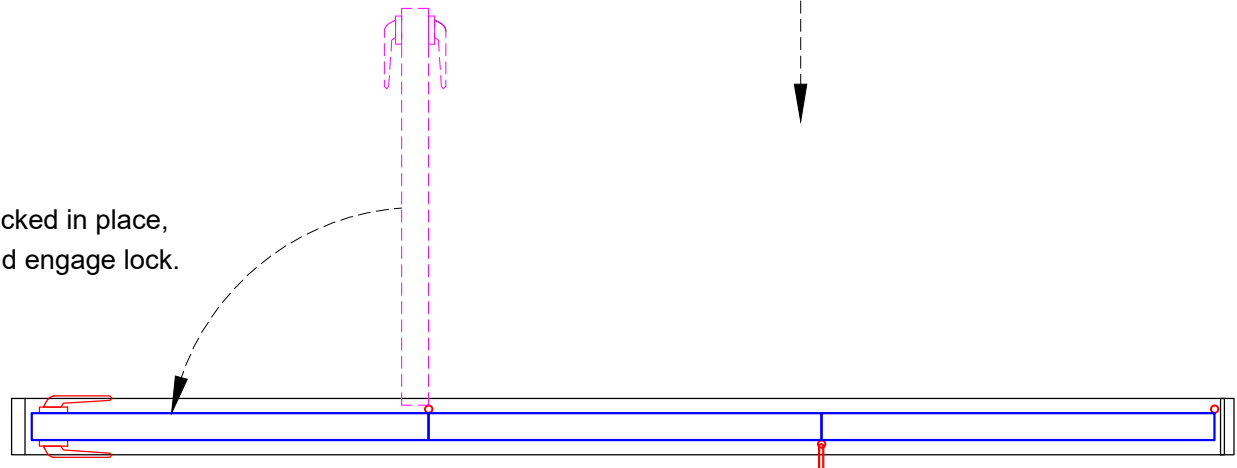
FOLDING DOOR SYSTEM




Note: 8510 Series - Hidden Hinge Swing Panel opens 90 degrees, forcing over 90 degree may result damaging to the hinge and frame. Improper use voids warranty

c. Closing active door.

Once all passive doors are locked in place, pull the active door closed and engage lock.



Prepared by :	COPYRIGHT RESERVED	Project Title :		
	This drawing is the property of Basikwall Inc. It must not be copied without prior written consent and must be returned on request. The information shown on it is to be regarded as confidential and must not be disclosed to any third party.	BIFOLD DOOR 8510 SERIES		
	Drawn by : MAA	Scale : NTS	Size	Dwg.No.
	Design by : EC	Date : 03/27/2021	B	Sheet No.
Checked by :	Approved :	2 OF 2		