

# Screen Kit Installation Instructions

## Retractable Pleated Insect Screen



Read Installation Instructions carefully before proceeding. Ensure that Installation Instructions and Hex Drive remain with homeowner.



**WARNING**

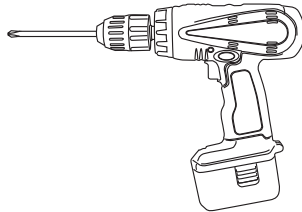
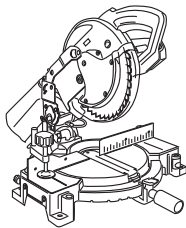
Screen will not stop children from falling out window  
Keep children away from open window

A safety initiative from the Australian Window Association

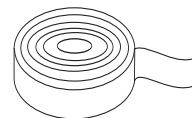
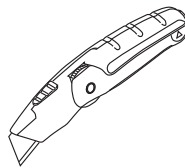
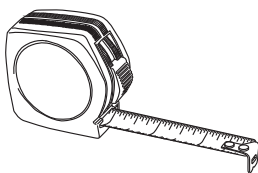


All dimensions are in inches (mm)

### Recommended Tools



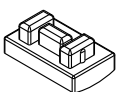
NOTE: DO NOT USE CIRCULAR SAW  
LAMINATE NON-FERROUS METAL BLADE



MASKING TAPE OR  
BLUE PAINTERS TAPE

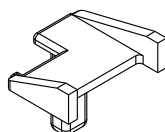
### Screen Kit Components

**x2**



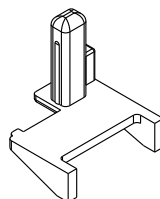
WS-MS-3  
MESH SUPPORT

**x1**



WS-PK-T  
TOP PACKING  
BLOCK

**x1**



WS-PK-B  
BOTTOM  
PACKING  
BLOCK

**x2**



WS-CS  
COMPRESSION  
SPRING

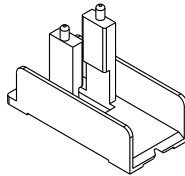
# Screen Kit Components



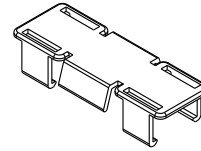
**x2**  
WS-GR-2  
HANDLE GRIP



**x2**  
WS-AB-A  
ADJUSTMENT  
BLOCK ASSEMBLY



**x1**  
WS-FB-3  
FRICTION  
BLOCK



**x2**  
WS-CEIN  
CASSETTE EXTRUSION  
RETAINER CLIP



**x1**  
WS-AK  
ALLEN KEY



**x2**  
TEKS-62020CX  
20X6-20 CSK  
TEK SCREW

Components used for a double screen only



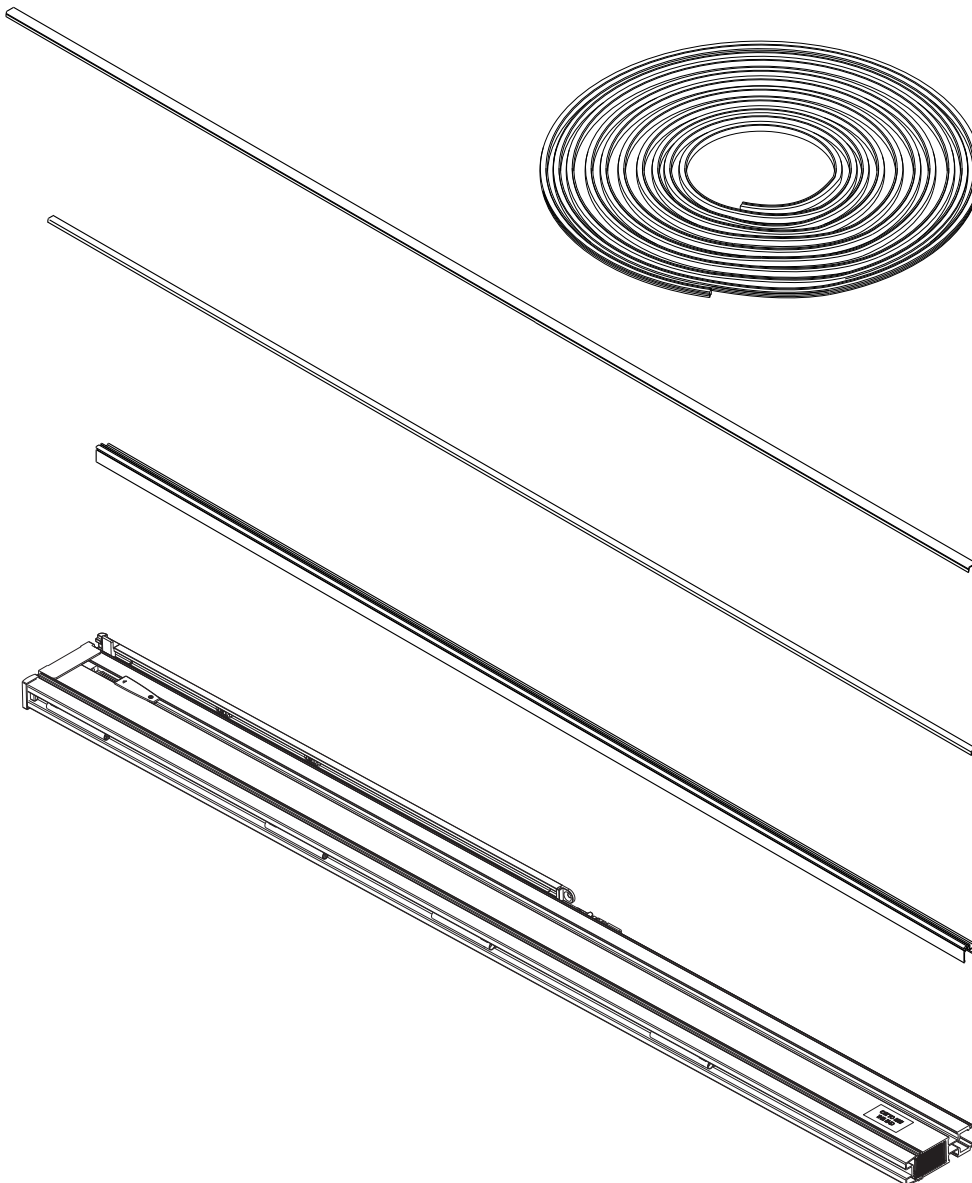
**x3**  
WS-MP  
MAGNET  
PLATE



**x9**  
SC3GX7S  
3G X 7 CSK  
SCREW SS



**x1**  
WS-MST  
MAGNETIC  
STRIP



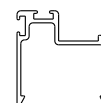
**x1**  
PB48850  
BRUSH SEAL



**x1,2,3  
or 4**  
WS-COVEXP  
CASSETTE  
EXTRUDED  
COVER



**x2**  
WS-HDPEX  
HANDLEBAR  
PLASTIC  
EXTRUSION



**x1**  
WS-HDCEXP  
HANDLEBAR  
COVER

**x1**  
SCREEN  
ASSEMBLY

# 1. Cutting screen assembly

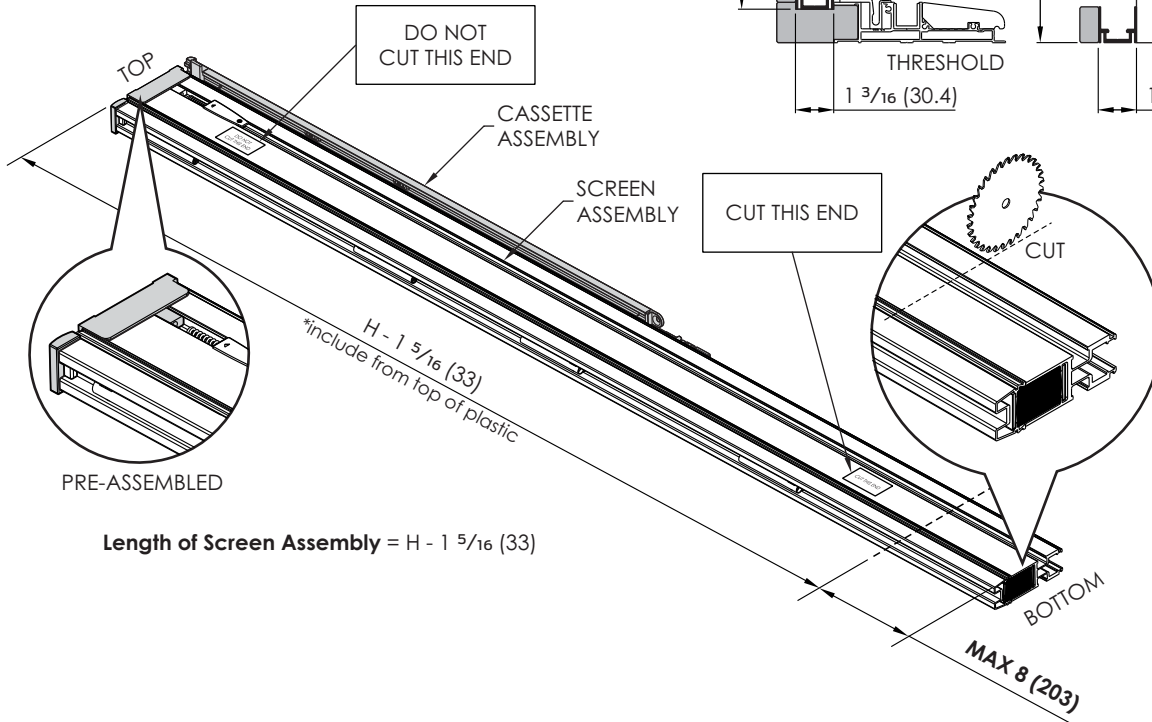
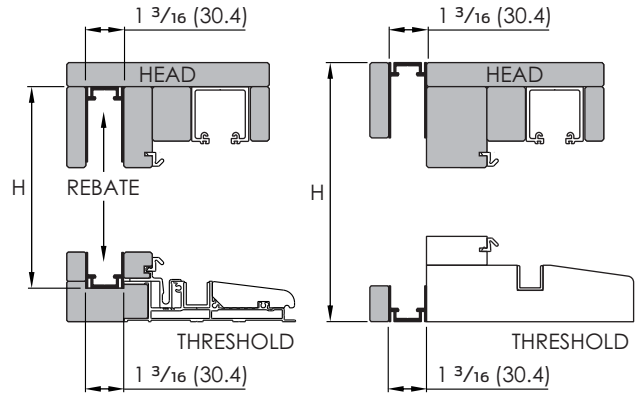


DO NOT REMOVE WRAPPING BEFORE CUTTING Ensure the screen assembly is tightly bound as supplied

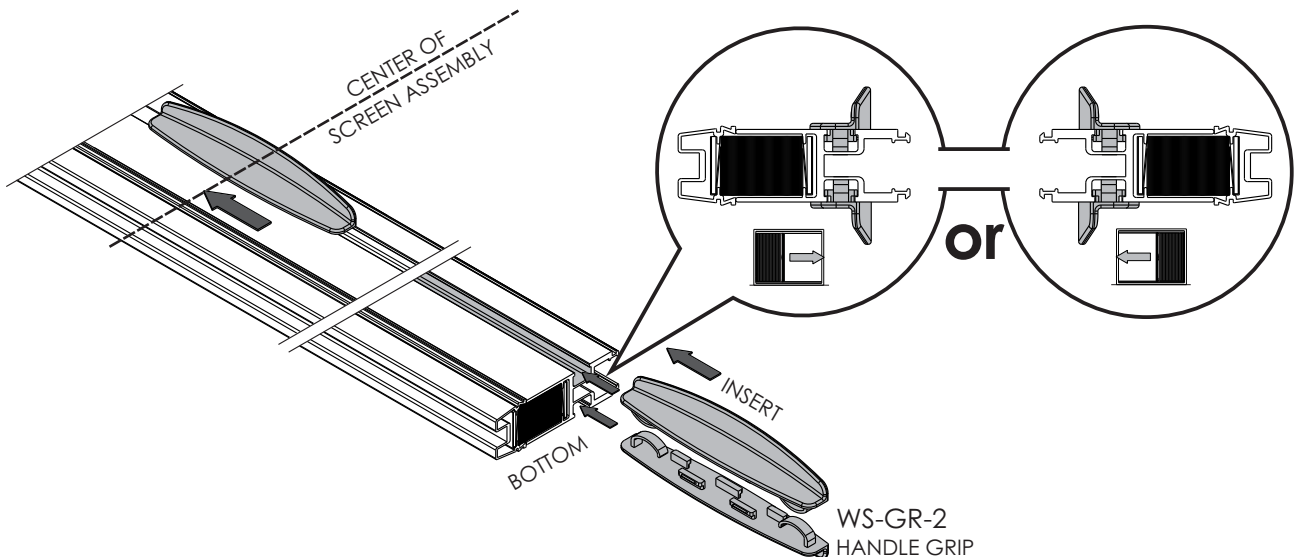
BEFORE CUTTING ensure both "cassette assemblies" and "cords" are located away from the bottom cut area

INTEGRATED SCREEN

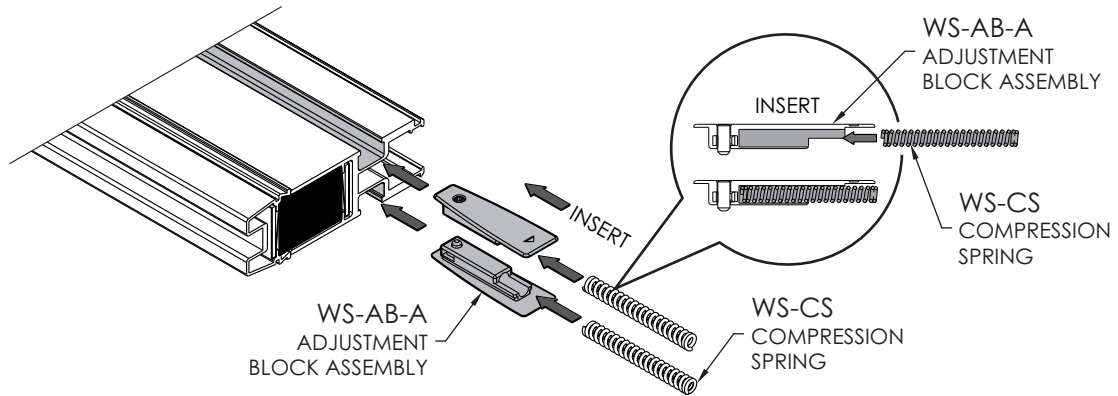
AFTERMARKET SCREEN



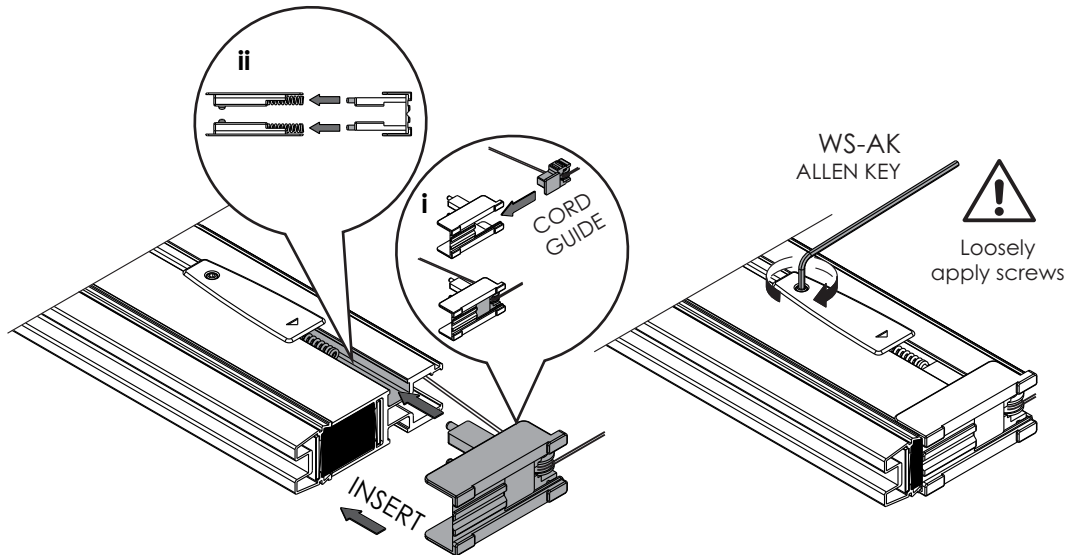
# 2. Inserting the Handle



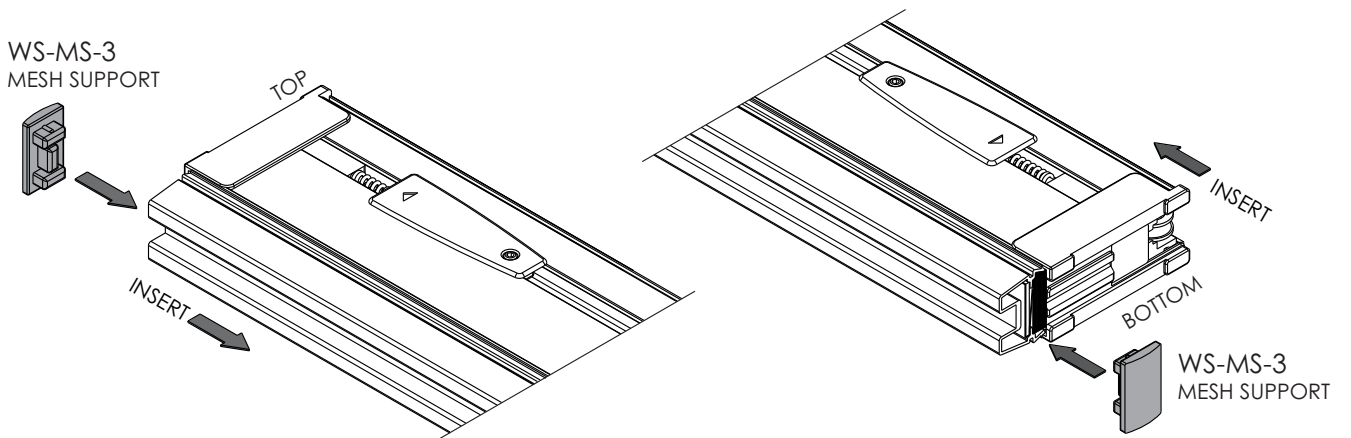
### 3. Inserting the Adjustment Block




### 4. Inserting the Friction Block

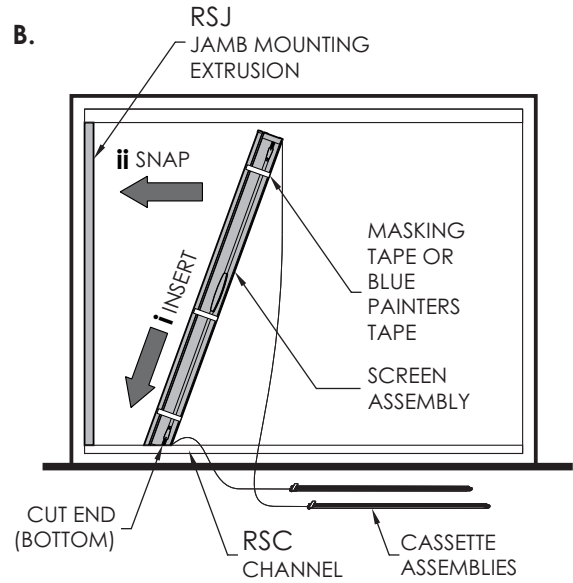
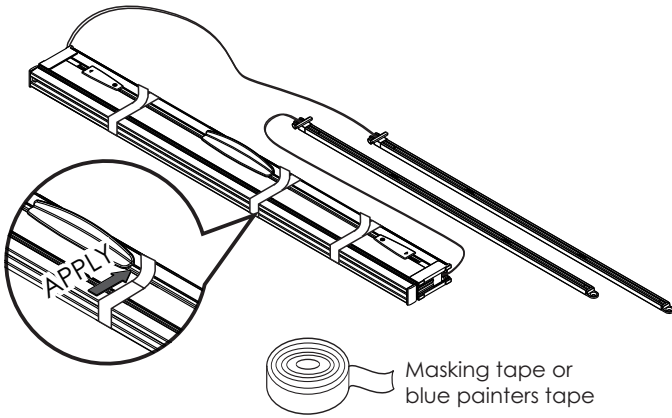


### 5. Inserting the Mesh Retainer

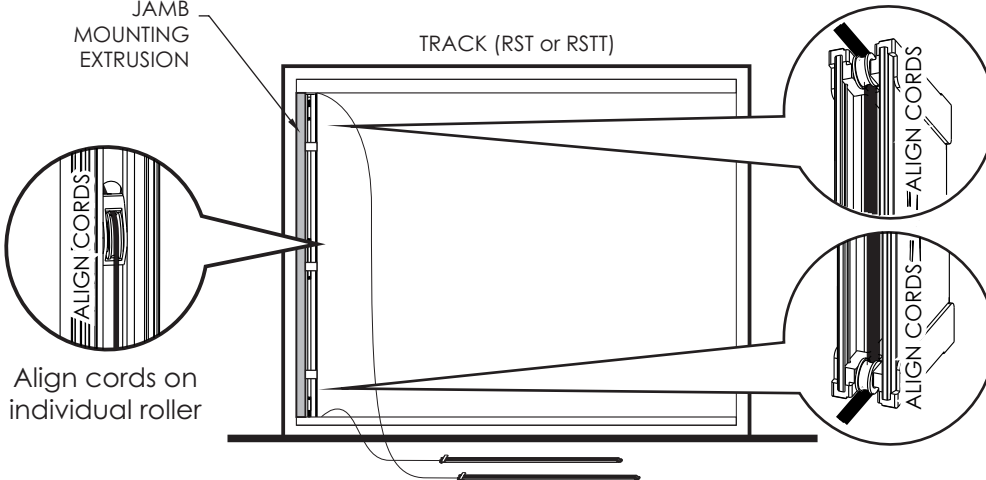


## 6. Installing Screen

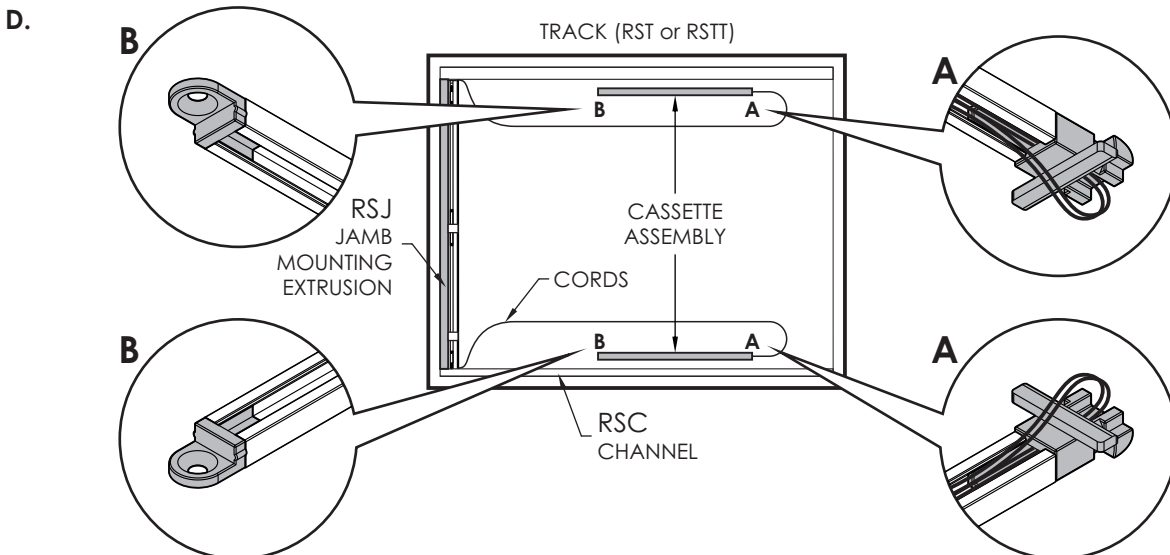
- A.**  Carefully remove wrapping. Ensure that the screen assembly is tightly compressed



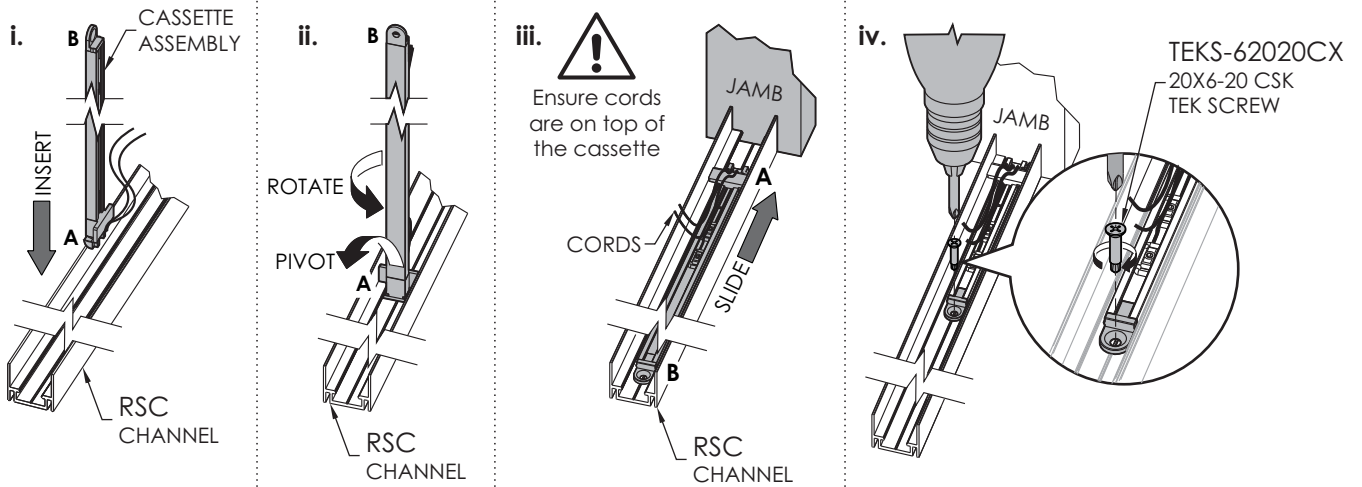
- C.**
- RSJ JAMB MOUNTING EXTRUSION



Align all cords on end rollers  
Ensure the cords are not twisted or tangled



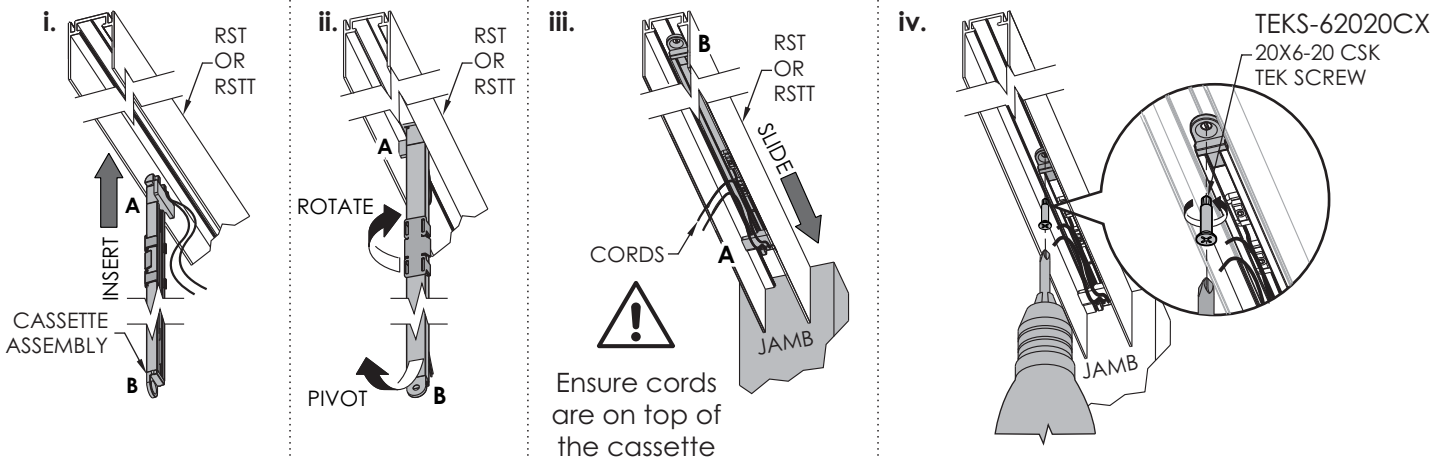
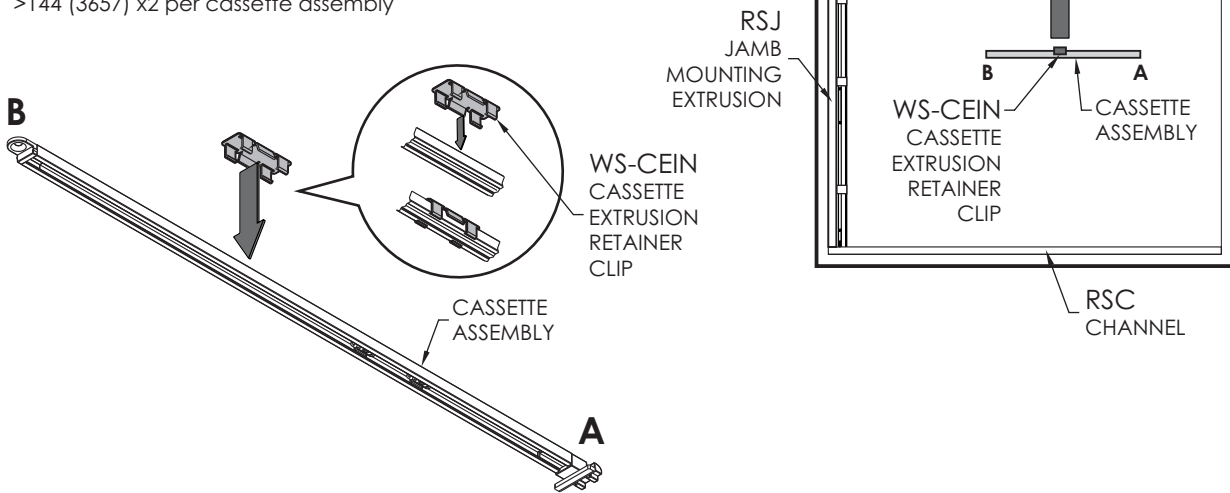
## 7. Fitting Bottom Channel Cassette



## 8. Fitting Top Track Cassette

Fit WS-CEIN - cassette retainer before fitting cassette into the top track (RST or RSTT)

<144 (3657) x1 per cassette assembly  
>144 (3657) x2 per cassette assembly

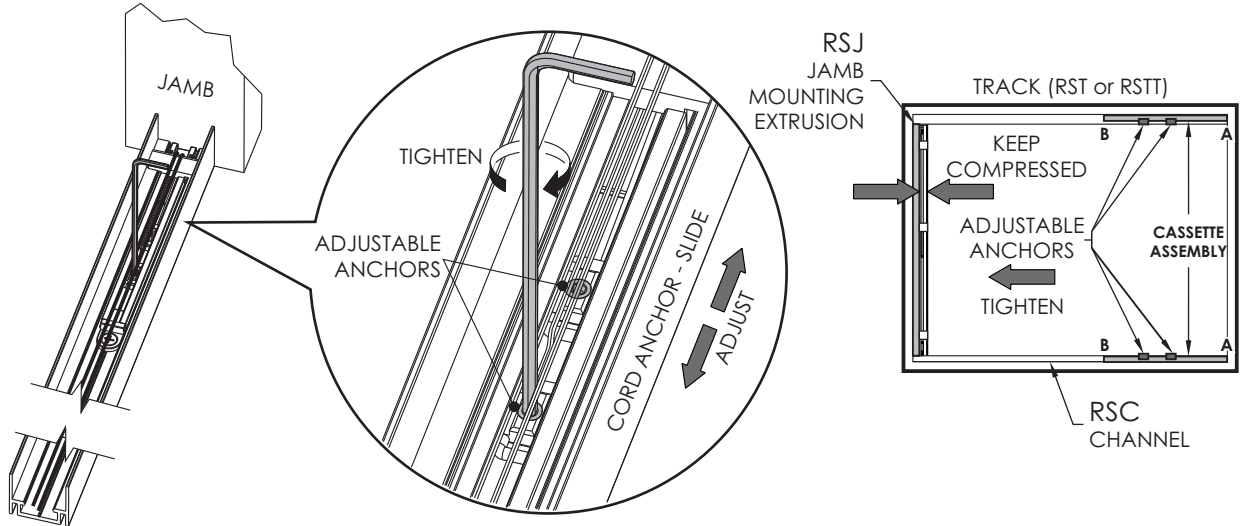




## 9. Cord Tensioning



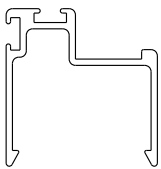
Ensure that the screen assembly is tightly compressed. Slide cord anchors to take up the slack and stretch a further  $\frac{9}{16}$  (15). Remove tape and operate screen to confirm smooth operation (screen will not extend fully until handle bar cover is installed).



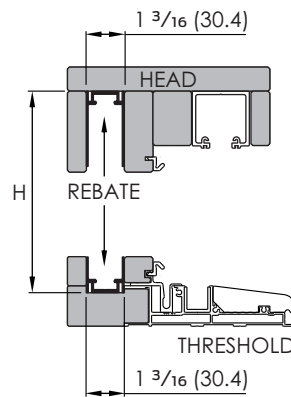
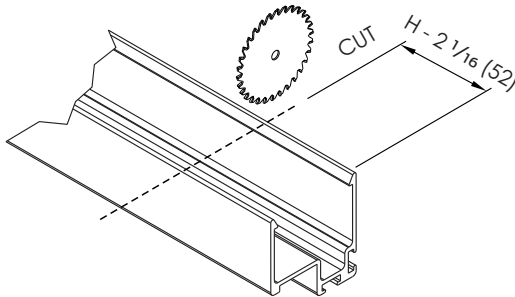
## 10. Preparing Handlebar Cover

See page 10 for double screen  
See page 11 for corner screen

A.

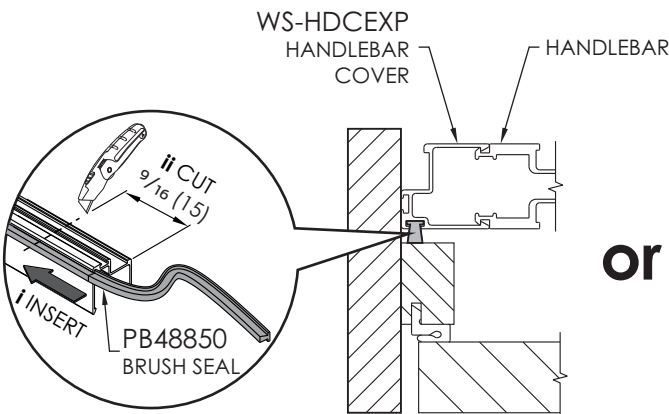


WS-HDCEXP  
HANDLEBAR  
COVER

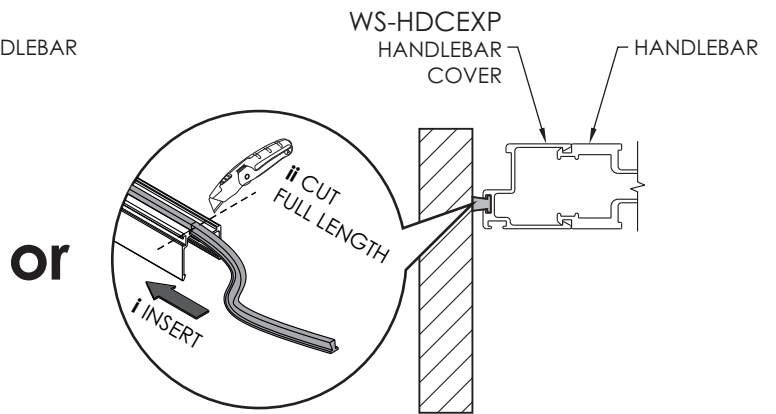


B. Install weather stripping

with REBATE

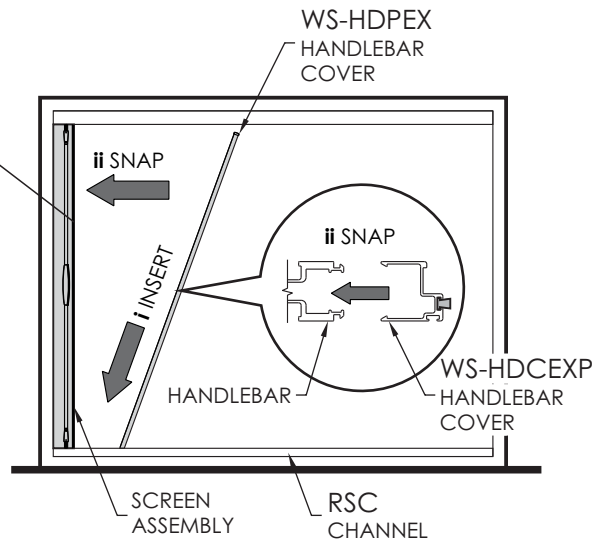
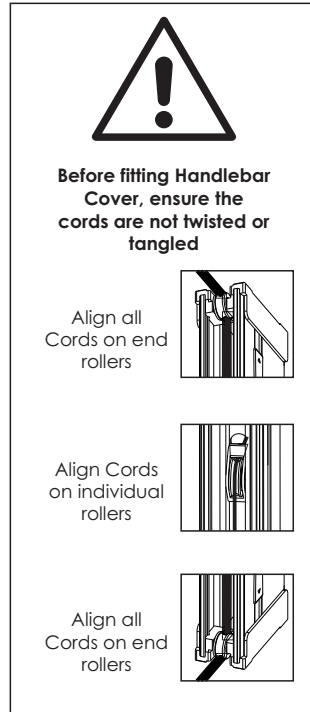


without REBATE



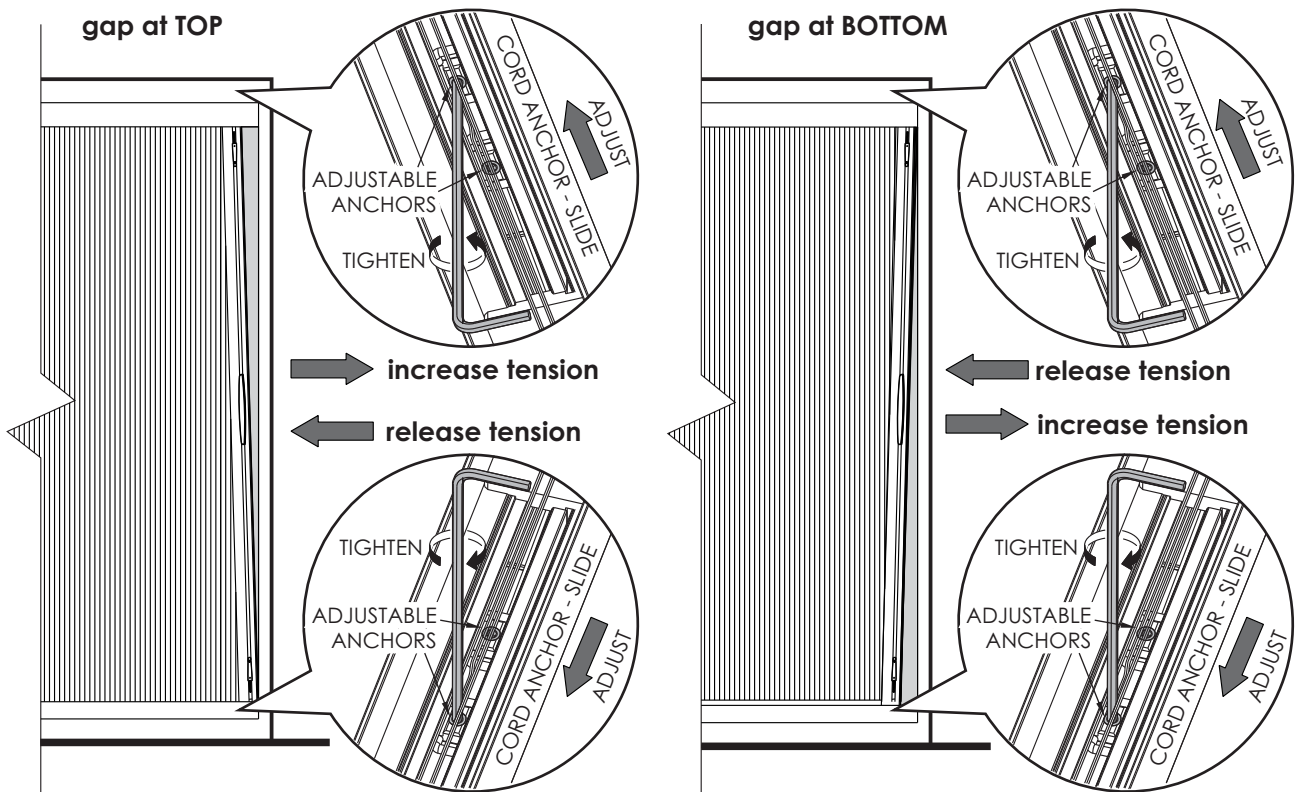
## 11. Fitting the Handlebar Cover

Operate the screen before installing the handlebar cover to confirm smooth operation. Once fitted, check the operation, and it should be as smooth as Step 9



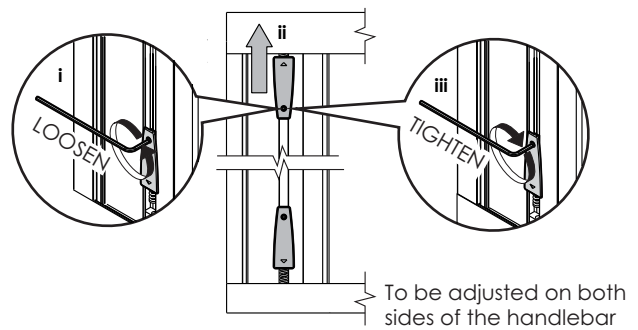
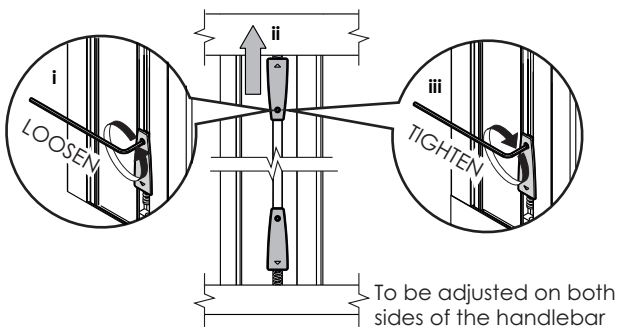
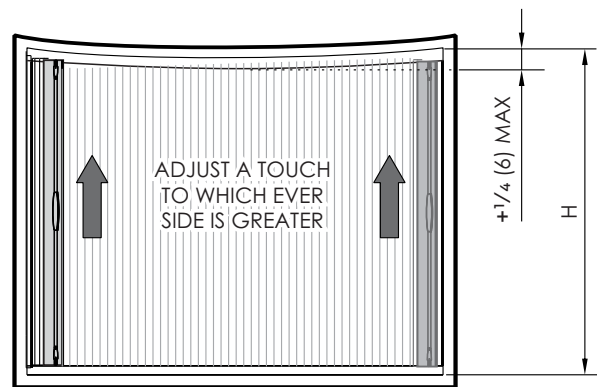
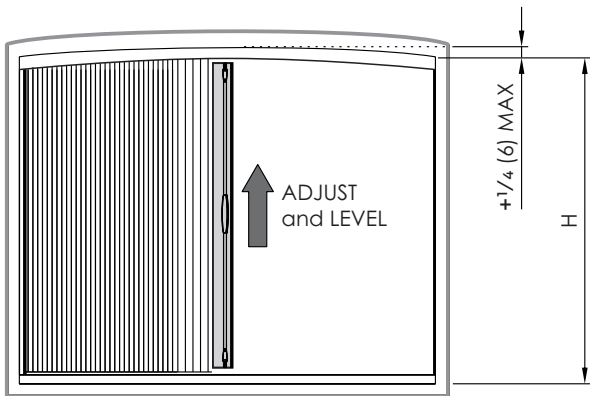
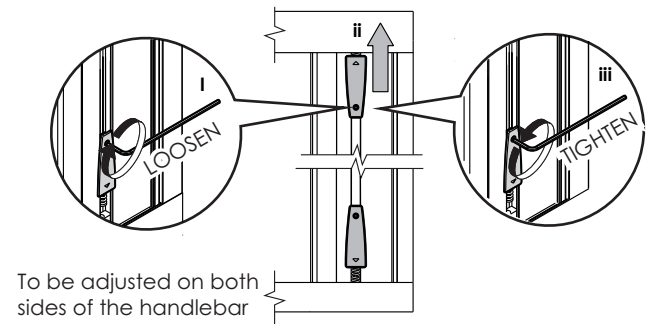
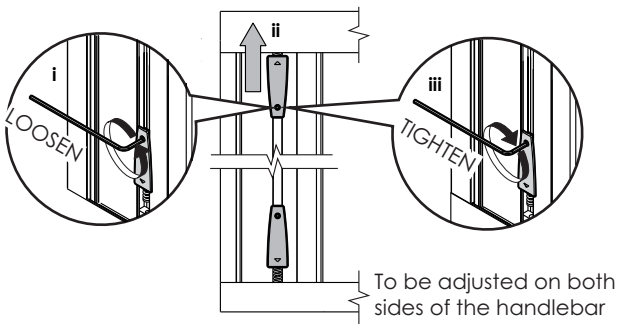
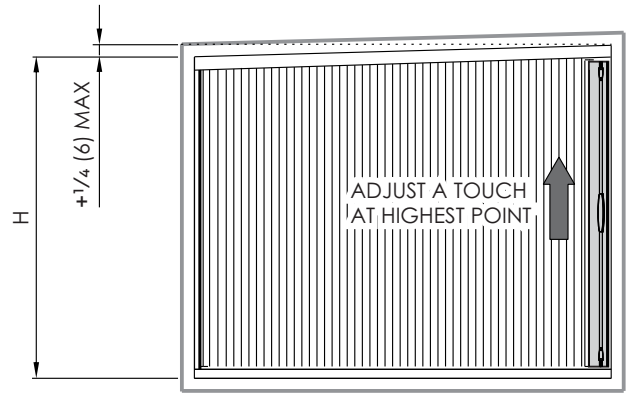
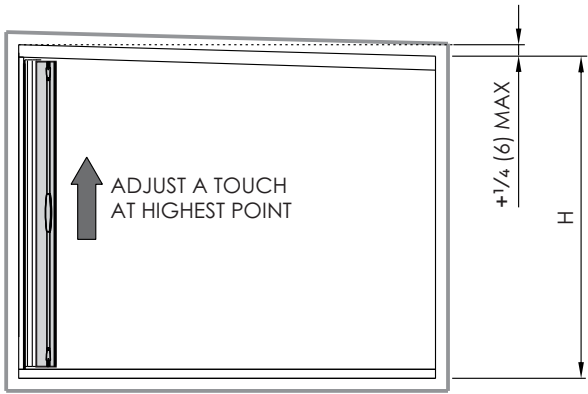
Ensure sticker is completely removed after checking

## 12. Handlebar Adjustment





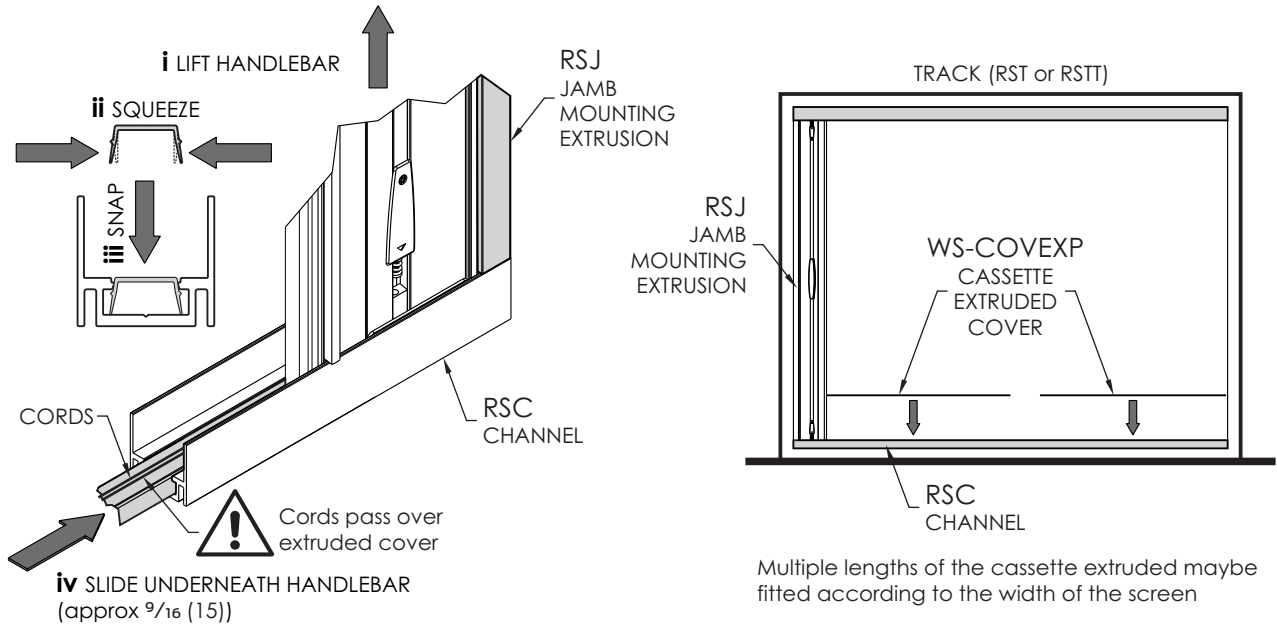
# 13. Screen Adjustment



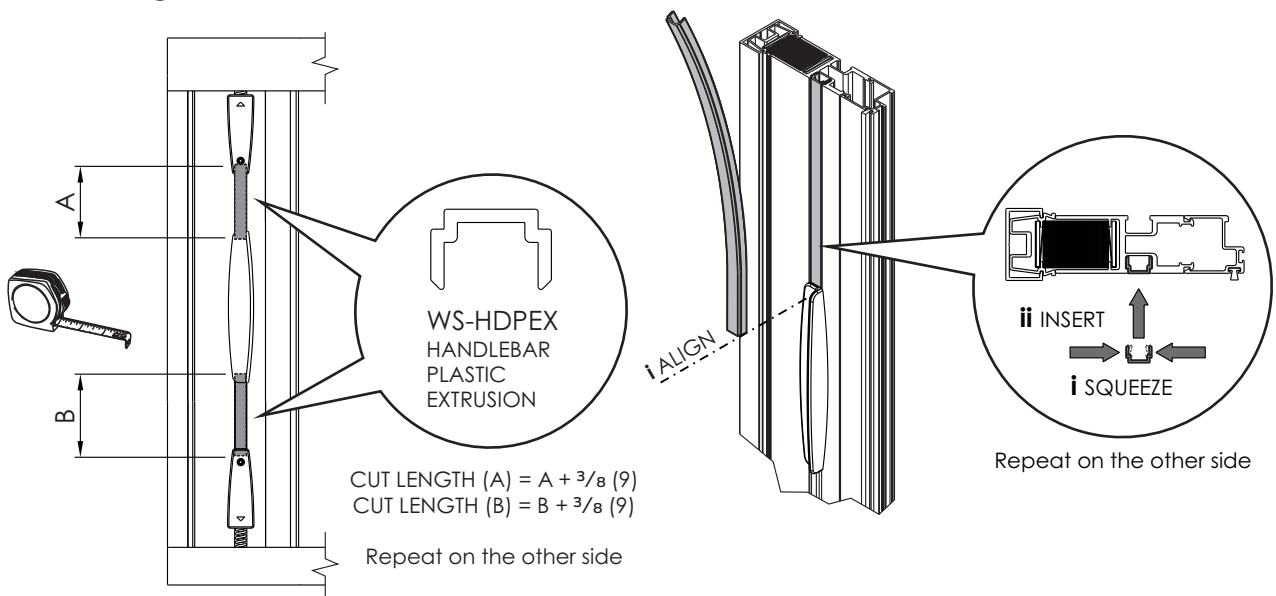
## 14. Commissioning

1. Ensure Channel (RSC) is free from dirt and debris.
2. Ensure screen slides freely from side to side.
3. Ensure Screen meets at the Jamb or meeting Screen (double or corner applications) without any gaps.  
(If not Refer to Step 12 Handlebar Adjustment)
4. Once Screen is operating correctly, fit the remaining components (as shown below).

## 15. Fitting Channel Covers

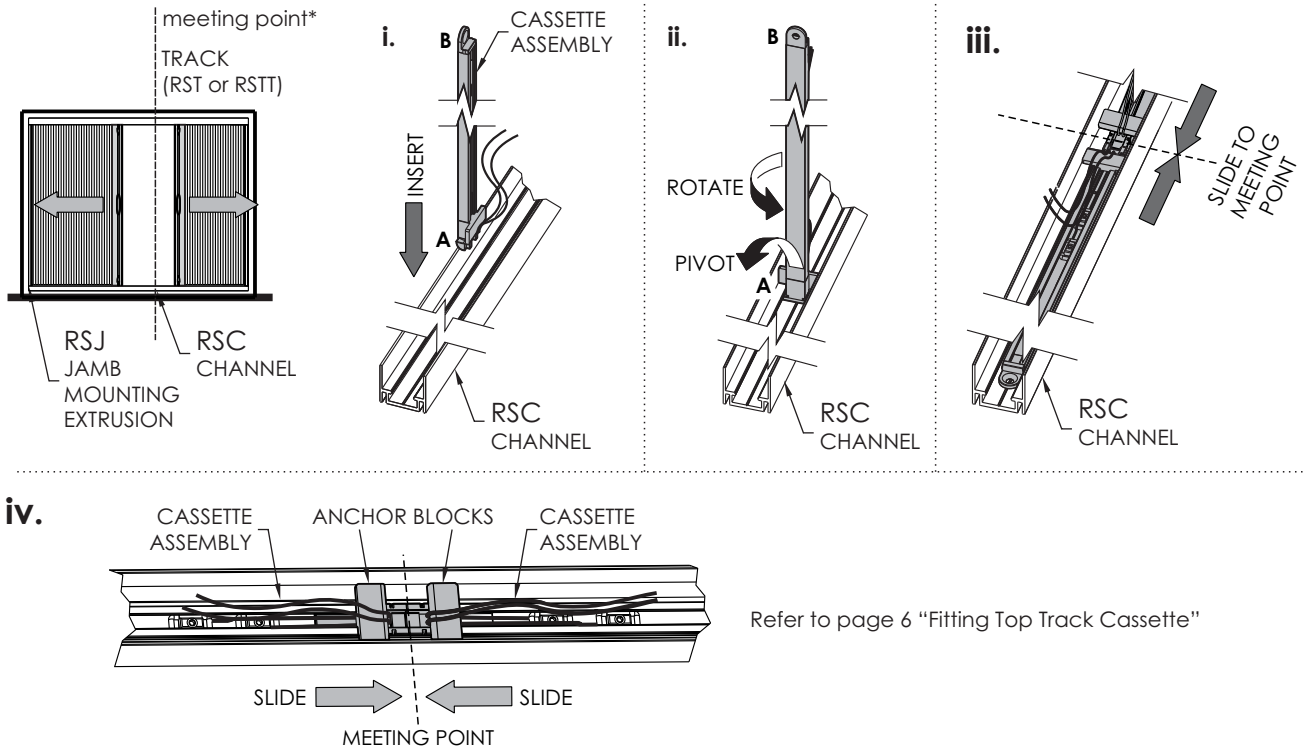


## 16. Fitting Handlebar Trim

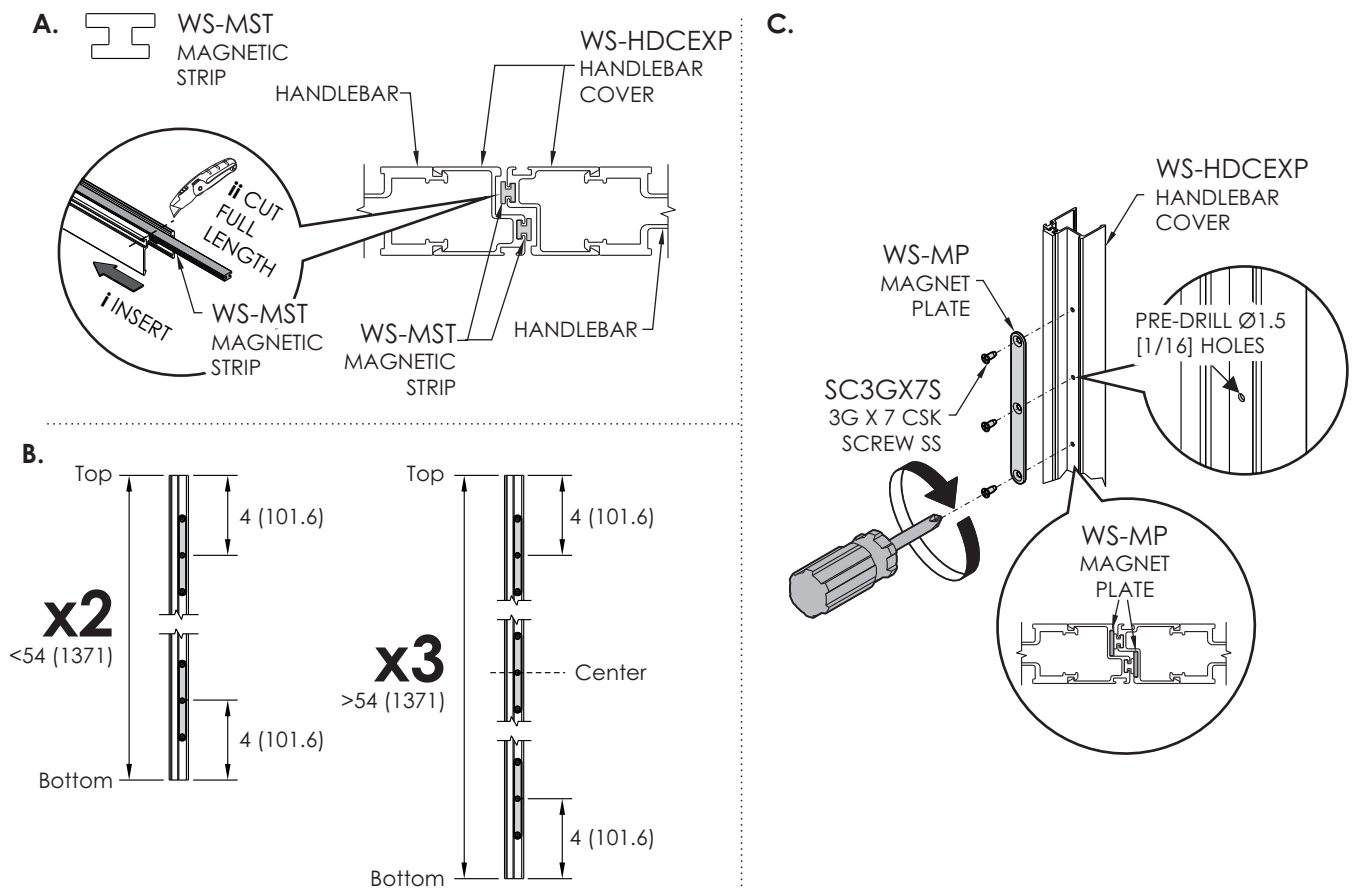


The screen is now installed

## 17. Fitting Cassettes for Double Screens

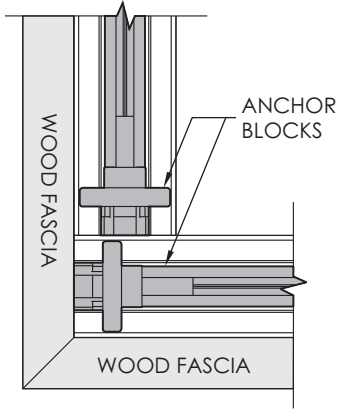


## 18. Fitting Magnet and Magnet Plates for Double Screens

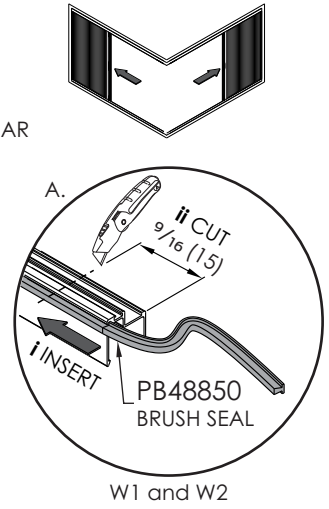
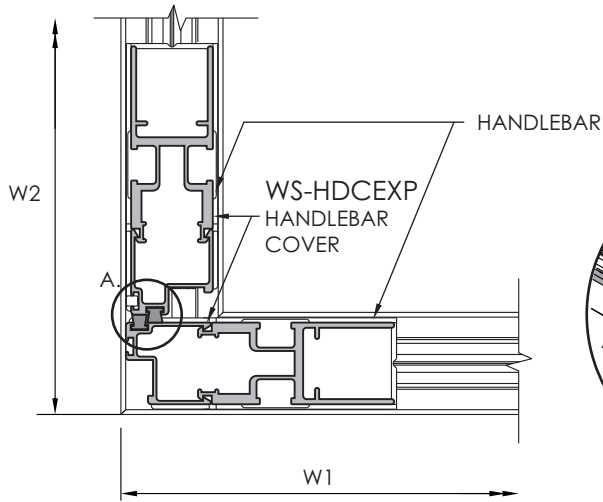


# 19. Corner Screen Application

Cassette Fitting  
Open Joint Frame

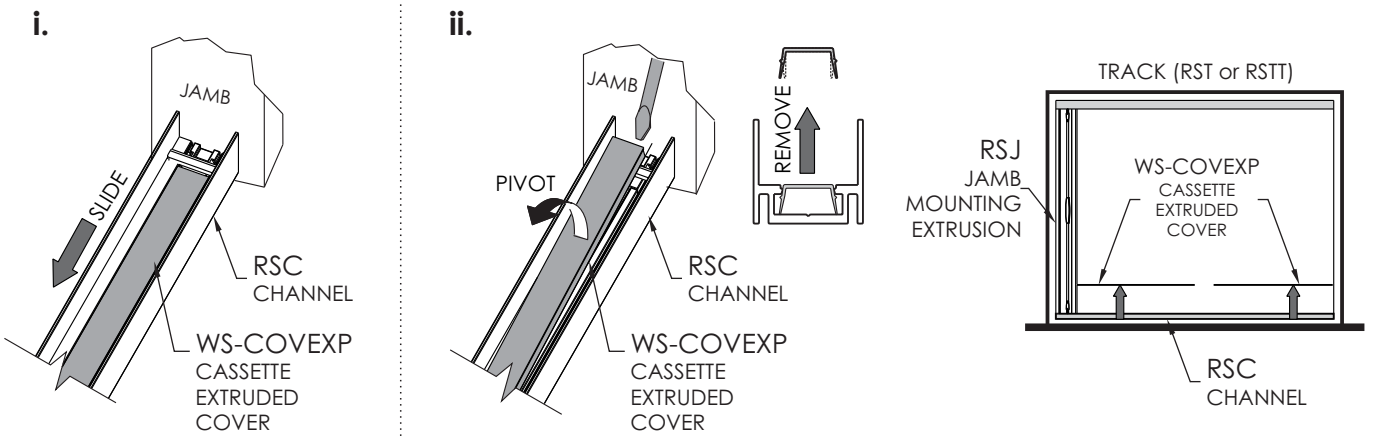


Handlebar and Seal Fitting

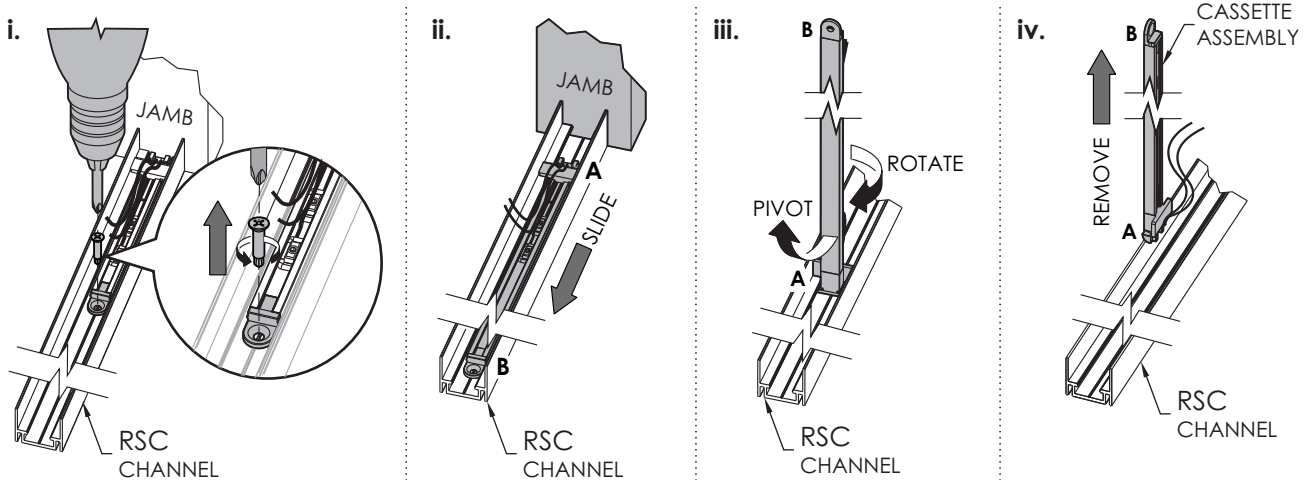


## Screen Replacement

### 1. Remove Channel Covers

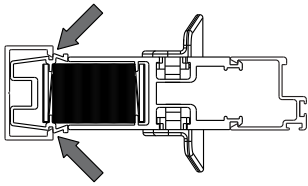


### 2. Remove Cassettes



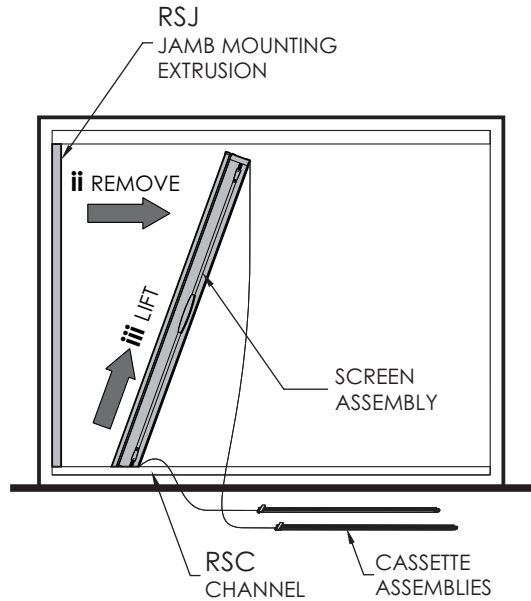
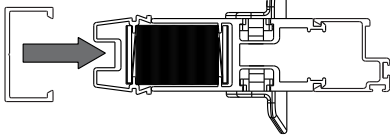
### 3. Remove Screen Assembly

i SQUEEZE USING PLIERS



Use pliers with masking tape to protect the surface

ii REMOVE



Replace with new SCREEN KIT and follow instructions supplied

### Screen Care and Maintenance

The Brio 612 Retractable Pleated Insect Screen is designed to fit a variety of opening sizes and provides an effective barrier against insects entering your home. Once installed, Brio recommends the following steps should be taken to ensure many years of trouble free operation

#### Cleaning the Top Track and Bottom Channel

Dust and debris can collect in the guide channels over time. Removal of such build up is easy and important to the screen's smooth movement. While the screen is retracted, remove any debris with a soft cloth or a vacuum cleaner with a soft brush nozzle. Dusty or coastal environments will require regular cleaning.

#### Cleaning the Screen Mesh

The screen mesh should be lightly dusted to maintain an unobstructed view and air flow. While the screen is extended, remove any build up with a vacuum cleaner with a soft brush nozzle, care should be taken not to tear or rip the mesh.

#### Wind and Operating Tips

The screen is fitted with tensioning cords running horizontally across the opening that provide stability to the screen, control the vertical orientation of the handle bar and help prevent the mesh from blowing out of its channel in windy conditions. Should the screen mesh blow out gently retract the screen, the mesh should self-feed back into the channels, if not simply pop the mesh back in the channel. On large openings the screen mesh acts like a sail, in gusty or windy conditions Brio recommends to keep the screen retracted

#### Servicing

If the mesh is damaged or a tension cord breaks, the screen will need to be replaced. The screen has been designed to be interchangeable with a replacement screen assembly which is reinstalled into the existing channels. Brio recommends contacting the original installer to have the screen cut to size and refitted or **please contact Brio for further assistance.**