

# GLASS WALL SYSTEM (Bi-folding Doors) 8510 SERIES

## SPECIFICATIONS

### General

1. Profile: 2.0mm
2. Frame: Depth 77.3mm (3.04"), Width
3. Frame: Premium aluminum with thermal break
4. Sill: Interior: 30.5mm (1.2 in.) | Exterior: 18.5mm (0.7 in.)

### Material

1. Commercial quality 6063-T5 alloy extruded aluminum
2. Component parts and accessories shall be made of aluminum alloy, plated steel, stainless steel, or nonmetallic materials to resist deterioration and corrosion
3. Thermally broken frames and panels as standard unless noted otherwise

### Construction

1. All frame members are neatly fitted and mechanically joined at the corners with stainless steel screws
2. Door styles shall be fabricated to achieve an interlock system that engages rails and is secured with a tie rod assembly to ensure a permanent firm connection at the top and bottom corners of the door panel
3. Glazing shall be secured with extruded aluminum snap-in stops or sealants, removable for glazing

### Finish

1. Extruded aluminum members furnished from the stock inventory available in white (RAL color code: Pure White 9010) or black (RAL color code: Signal Black 9004)
2. Custom colors are available in both painted/powder coated or anodized finishes

### Glazing

1. Insulated glass 5mm + 27mm argon gas + 5mm Low-E

2. All glazing fully tempered unless noted otherwise

### Hardware

1. Stainless steel with silver finish or black finish
2. Door handles standard with silver finish or black finish
3. Manual multi-point locking system with shoot bolts locking panels at head and sill
4. Standard cylinder lock (on odd number systems only)

### Weather stripping

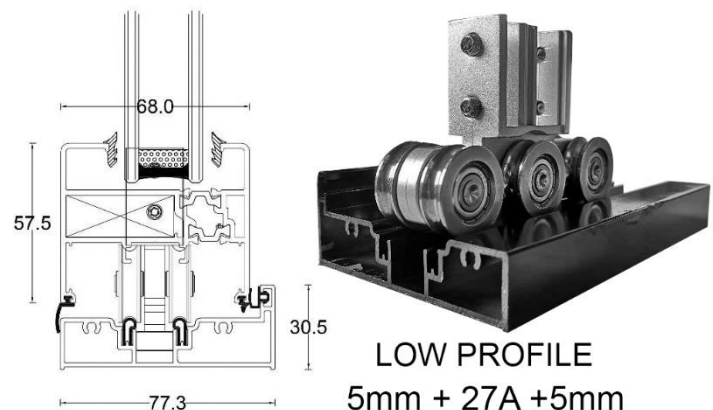
1. Weather strips at the door jambs and head and still track
2. At the panel stiles
3. At the top and bottom rails of the panels

### Screens

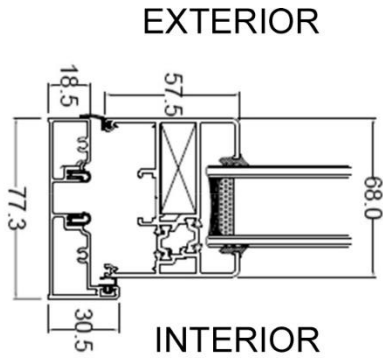
1. Insect screens are not available for bi-fold doors; they can be ordered separately
2. Retractable screens are sold separately

### Installation

1. Installation shall be in accordance with AAMA 2400, ASTM E2112



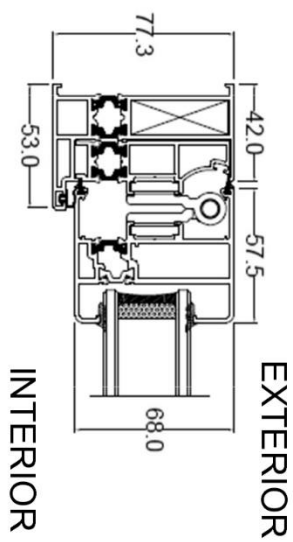
## SIDE VIEW



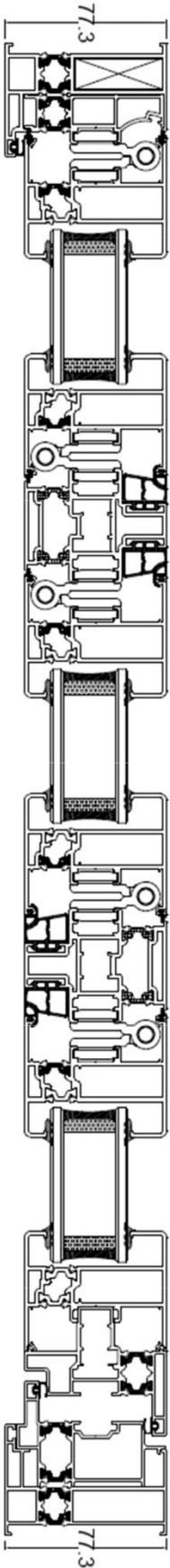
## Glass Wall System / Bi-fold Doors (8510 Series)

Thermal break profile bi-fold low track

## TOP VIEW



## TOP VIEW



**IGU: 5mm + 27AR + 5mm Low-E**  
 \* Door height over 2600mm (102 5/16") IGU: 6mm + 25AR + 6mm Low-E